

SIZE: 4-V Filter

HEIGHT x WIDTH x DEPTH

- 23-3/8 x 23-3/8 x 11-1/2
- 19-3/8 x 23-3/8 x 11-1/2
- 11-3/8 x 23-3/8 x 11-1/2

UPRIGHTS:

- PLASTIC (STANDARD)
- METAL

EFFICIENCY:

- 65% ASHRAE
- 85% ASHRAE
- 95% ASHRAE
- 98% ASHRAE
- 95 DOP
- 99.97% DOP

GASKET MATERIAL:

- NEOPRENE - 1/4 INCH (Standard)
- NEOPRENE - 3/8 INCH
- FOAM - 3/16 INCH
- OTHER: _____
- NONE

GASKET LOCATION:

- FLAT FACE SIDE OF HEADER
- V - SIDE OF HEADER
- BOTH SIDES OF HEADER
- SIDE ACCESS (FOAM GASKET ONLY)
- OTHER: _____

FACEGUARD:

- FLAT FACE SIDE
- V - SIDE

Customer Notes / Additional Requirements

SIZE: 2-V Filter

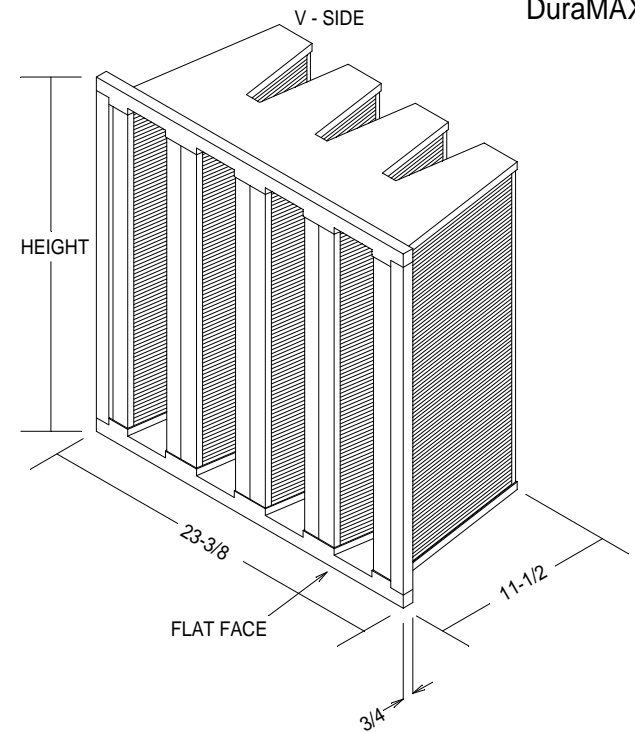
HEIGHT x WIDTH x DEPTH

- 23-3/8 x 23-3/8 x 11
- 19-3/8 x 23-3/8 x 11
- 11-3/8 x 23-3/8 x 11
- 19-3/8 x 19-3/8 x 11

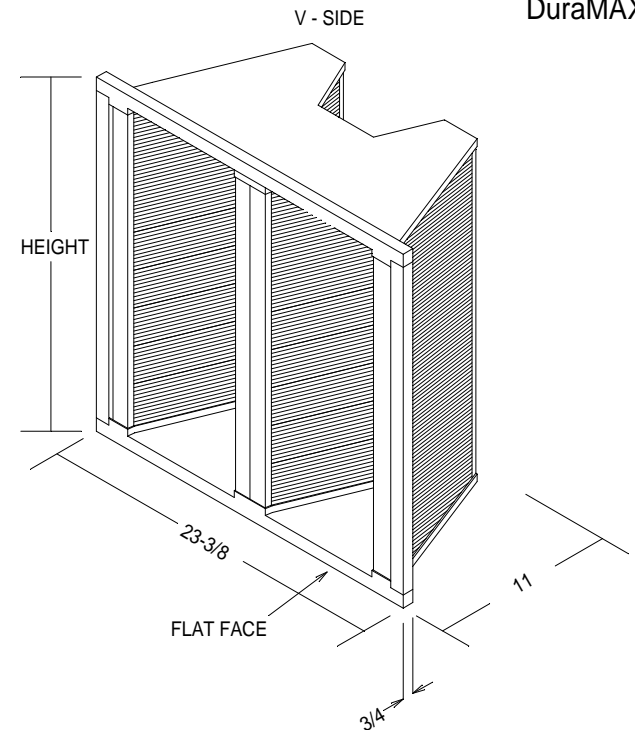
AIRFLOW:

- FLAT FACE (STANDARD)
- V-SIDE

DuraMAX 4v



DuraMAX 2v



Koch Filter Corporation

Filtration Products Crafted with Pride
P.O. Box 3186 - Louisville KY 40201
625 W. Hill Street - Louisville KY 40208
Phone: (502) 634-4796 FAX: (502) 637-2280

**DuraMAX 2v and Duramax 4v
FILTER SUBMITTAL**