

- CELL SIDE MATERIAL:**
- SINGLE HEADER 26 GA ALUMINIZED STEEL
  - DOUBLE HEADER 26 GA ALUMINIZED STEEL

- FILTER MEDIA AND CAPACITY:**
- 95% ASHRAE STANDARD CAPACITY
  - 95% ASHRAE HIGH CAPACITY
  - 65% ASHRAE STANDARD CAPACITY
  - 65% ASHRAE HIGH CAPACITY

- GASKET MATERIAL:**
- HT ROPE
  - 1/4" SILICONE
  - NONE

- GASKET LOCATION:**
- DOWNSTREAM
  - UPSTREAM
  - UPSTREAM AND DOWNSTREAM
  - NONE

- CLIP HOLE LOCATION:**
- 5/3 & 3/5 (STANDARD)
  - 4/4 & 4/4
  - CENTERED
  - NONE

- HEADER THICKNESS:**
- 13/16" (STANDARD)
  - 1-1/8"

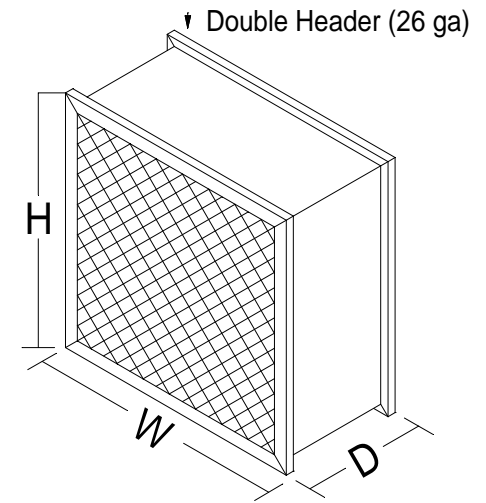
\*\* STANDARD DEPTHS: 5-7/8" AND 11-1/2"

Customer Notes / Additional Requirements

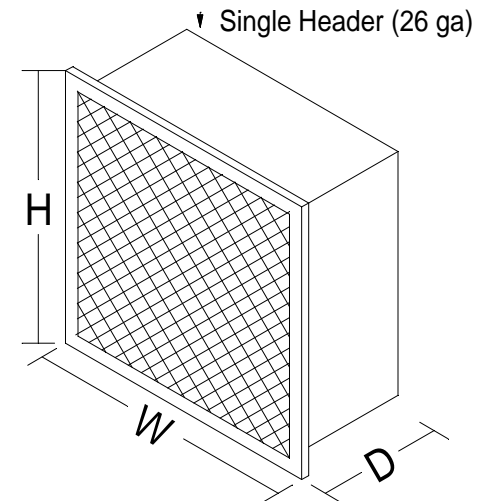


**Koch Filter Corporation**  
 Filtration Products Crafted with Pride  
 P.O. Box 3186 - Louisville KY 40201  
 625 W. Hill Street - Louisville KY 40208  
 Phone: (502) 634-4796 FAX: (502) 637-2280

## HT MULTI-CELL FILTER SUBMITTAL



Height\*    X    Width\*    X    Depth  
 \* of FLANGE  
 ALL DIMENSIONS ARE ACTUAL SIZE



Height\*    X    Width\*    X    Depth  
 \* of FLANGE  
 ALL DIMENSIONS ARE ACTUAL SIZE